



# **Albatross 3000X**

## **A Combined Welding and Grinding Helmet**

The Albatross 3000X is a combination of a welding helmet and a grinding visor. The large panoramic window gives an excellent overview and good protection whilst grinding. The welding glass 10 DIN is included.



### **Ordering Information**

<b>Albatross 3000X standard</b>	<b>0700 000 931</b>
<b>Albatross 3000X for fresh air</b>	<b>0700 000 932</b>
<b>Albatross 3000X for hard hat</b>	<b>0700 000 933</b>
<b>Albatross 3000X for hard hat and fresh air</b>	<b>0700 000 934</b>

*The Albatross 3000X provides a complete and flexible system, which is available as standard, fresh air, hard hat & hard hat with fresh air.*

### **3000X Automatic Combinations**

<b>Albatross 3000X, incl Air 160 8h</b>
<b>Albatross 3000X, incl Air CA</b>
<b>Albatross 3000X, incl hard hat</b>
<b>Albatross 3000X, incl hard hat, hearing protectors</b>
<b>Albatross 3000X, incl hard hat, Air 160 8h</b>
<b>Albatross 3000X, incl hard hat, Air 160 8h, hearing protectors</b>
<b>Albatross 3000X, incl hard hat, Air CA</b>
<b>Albatross 3000X, incl hard hat, Air CA, hearing protectors</b>

### **Features and Benefits**

Extremely lightweight shell which offers a high level of protection, and increased comfort to the welder.

The large clear inner visor has a very wide field of vision, which is suitable for grinding (EN 166B).

The flip front visor has a 90mm x 110mm DIN 10 mineral welding filter. This can be changed to a Automatic darkening welding filter. The flip up needs to be closed at all times when welding.

The helmet is suitable for all welding applications, including heavy duty welding in high amps.

New robust head gear with extra benefits; comfort pivot pad, large adjustment ratchet, and comfort sweat band.

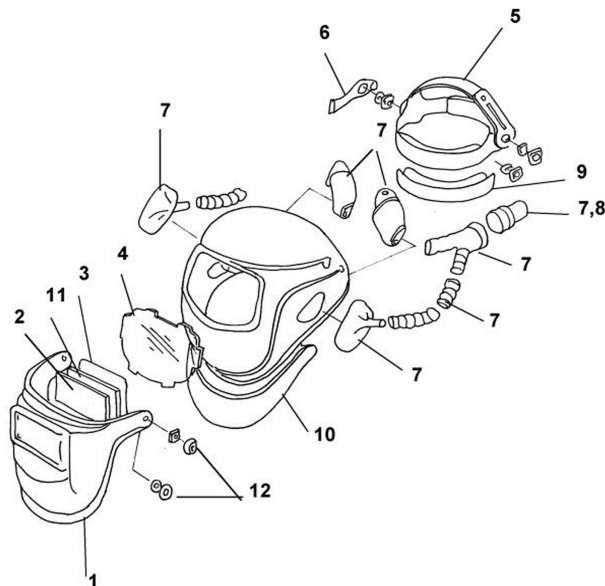
The helmet has a very simple and fast removal and replacement of the large clear visor and the 90 x 110 welding lens.

### **Part Numbers**

<b>0700 002 944</b>
<b>0349 501 886</b>
<b>0349 501 907</b>
<b>0349 501 906</b>
<b>0700 002 952</b>
<b>0700 002 951</b>
<b>0349 501 909</b>
<b>0349 501 908</b>

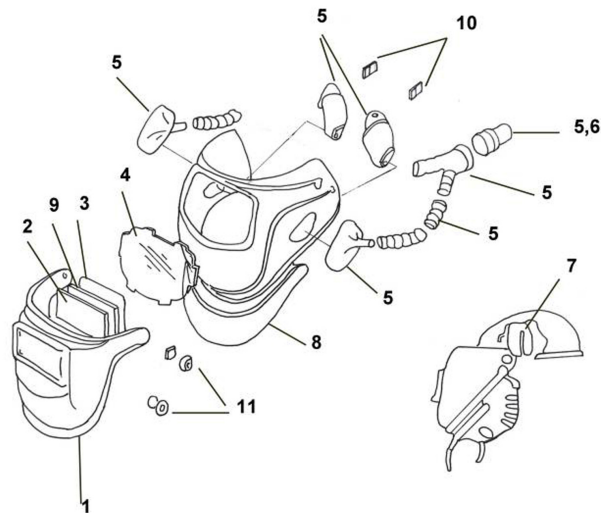
### Spares for Albatross 3000X Standard & Fresh Air

1 Visor 90 x 110	0700 000 101
2 Front/Inner Cover Lens 90 x 110	0160 307 004
3 Spring 90 x 110	0000 595 383
4 Big Lens Albatross 3000X	0700 000 102
5 Head Gear	0700 000 243
6 Spare parts for Head gear	0000 500 520
7 Air Hose Including Adapter	0000 595 239
8 Adapter	0349 501 085
9 Air Tight Seal	0000 595 216
10 Face Seal including Bib	0000 595 178
11 Welding Lens DIN 10	0760 031 632
12 Hinge set for Visor	0700 000 048



### Spares for Albatross 3000X Hard Hat & Fresh Air

1 Visor 90 x 110	0700 000 101
2 Front/Inner Cover Lens 90 x 110	0160 307 004
3 Spring 90 x 110	0000 595 383
4 Big Lens Albatross 3000X	0700 000 102
5 Air Hose including Adapter	0000 595 239
6 Adapter	0349 501 085
7 Air Tight Seal	0000 595 216
8 Face Seal including Bib	0000 595 178
9 Welding Lens DIN 10	0760 031 632
10 Helmet adapter	0368 975 883
11 Hinge set for Visor	0700 000 048



#### Quality accessories for the quality welder

ESAB offers a wide range of accessories. The complete range, along with product information, is available at our local web-sites, look at [www.esab.com](http://www.esab.com) or contact your local ESAB dealer.

#### Unrivalled service and support

Our commitment and ability to deliver the expected service and support starts immediately after the order is confirmed. We endeavour to offer our customers an After Sales service, which is second to none. A strong and skilful service organisation is prepared to offer service and maintenance, calibration, validation and upgrading of equipment and software.

The service organisation will offer standardised solutions for the reconditioning or modification of existing products.



ESAB Sverige AB  
 Box 8004  
 402 77 GÖTEBORG  
 Tel. 031 50 95 00  
 Fax 031 50 92 22  
[www.esab.se](http://www.esab.se)



ISO 9001:2000

